

FEV Signature Solutions Gateway Development Tools

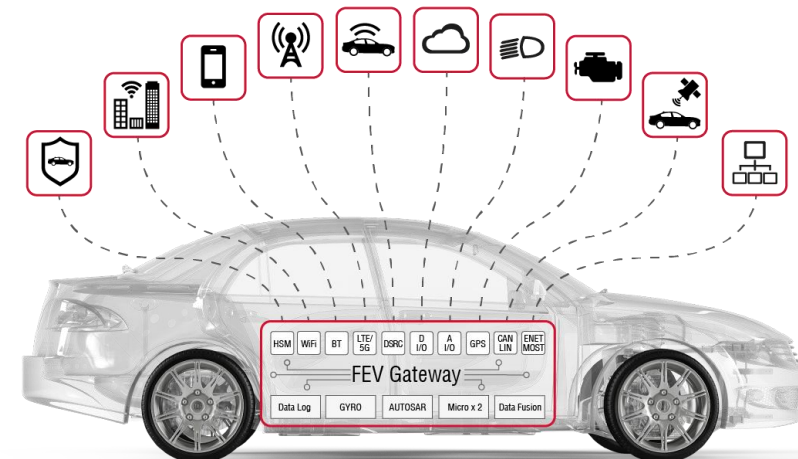
Our GW solutions enable end to end NetCom development from prototype to production

FEV offers

- A single NetCom development tool solution with efficient transition from prototype to production use
- Configurable HW design to support unique customer requirements throughout full product development lifecycle
- Current base GW solution supports: LIN (4), CAN 2.0/CAN-FD (8), analog input (7), digital input (8), digital output (8), programmable LEDs (16), Flash re-programming via CAN, customizable daughter board, serial debug port
- Premium solution will also include
 - FuSy ASIL B compliance
 - Cybersecurity protection
 - Removable touch-screen and analog port
 - Production hardened for EMC and environmental
 - Wi-Fi, Bluetooth, cell module, GNSS, OTA updates

Why FEV

- Highly efficient and fast gateway design, test and manufacturing, as well as adaptation and integration into the target vehicle
- Seamless transition from development and test to production and operations
- Highly configurable E/E system and NetCom development tool having many diverse applications
- Application specific SW development support from system design, to validation, to production EOL testing



Reference projects

GATEWAY DEVELOPMENT TOOLS



OEM passenger car
(Series development)



OEM CAN RE
(E/E buck development)



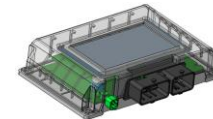
OEM passenger car
(Prototype E/E development)



OEM mule
(SDV Development)



Aftermarket production
(Production GW)



Pending patent application
(Network Gateway US 18/753501)

Reference project: SDV gateway solution

GATEWAY DEVELOPMENT TOOLS

- Development and integration of GW HW and SW to bridge existing Battery Electric (BEV) Atlantis High architecture to new STLA-Brain architecture
- Completion of initial 50 features Q2, 2024
- Additional mule and feature support on-going

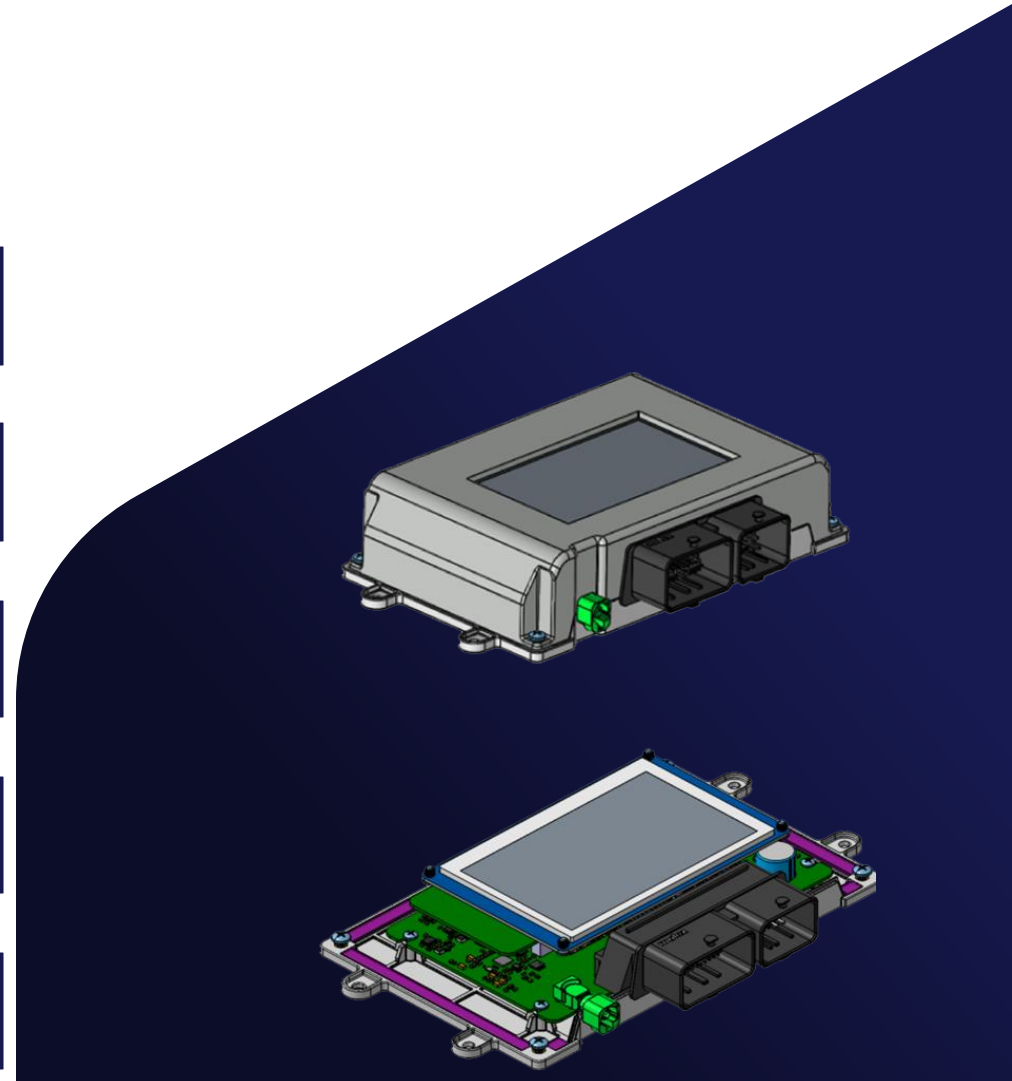
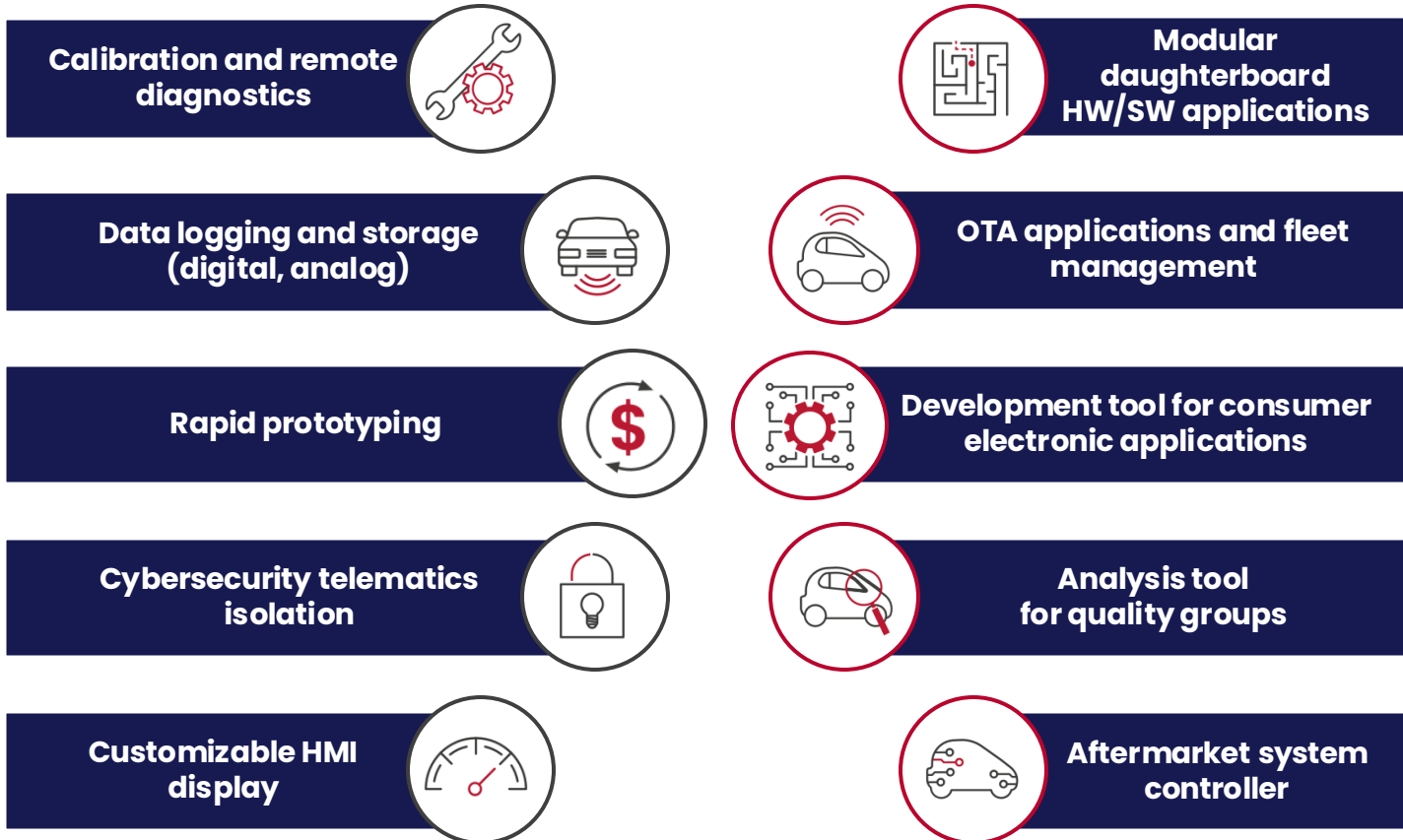
FEV responsibility

- E/E architecture development
- Harness design and integration
- GW SW development
- 50 features developed for new SDV architecture



Use cases

GATEWAY DEVELOPMENT TOOLS



Application areas

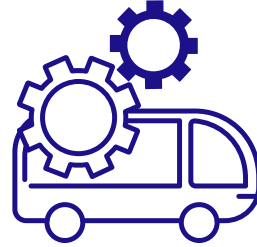
GATEWAY DEVELOPMENT TOOLS



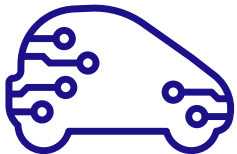
E/E Mule vehicles



Autonomous vehicles



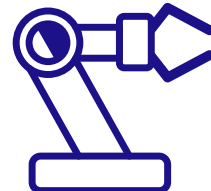
Demonstrator vehicles



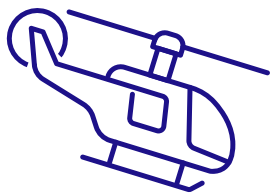
Custom GW HW/SW



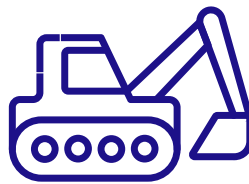
New E/E architectures



Industrial equipment



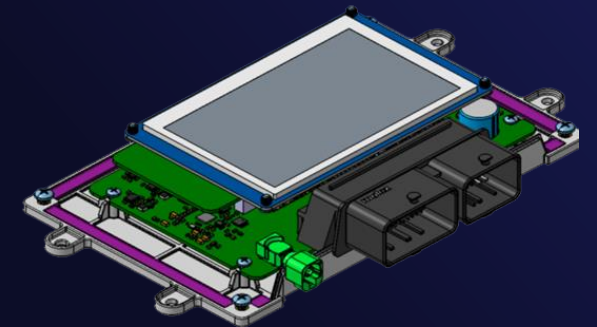
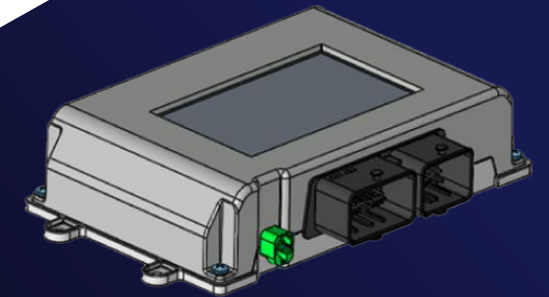
Defense



Construction machinery



Agriculture equipment



Features and evolution

GATEWAY DEVELOPMENT TOOLS



Timeline

2024

Mezzanine board

Ethernet NiC

Wide input voltage range

External module (QSPI)

Display

Flash memory

2025

Automotive qualified casing

EMC compliance

Environmental compliance

Data logging

Touch screen applications

2026

Cybersecurity (HW)

OTA (HW)

Wi-Fi (HW)

Functional safety compliant

Fleet management

Get in touch with us for further information



[www.fev.com/en/
signature-solutions](http://www.fev.com/en/signature-solutions)